

Bunk Bed Assembly

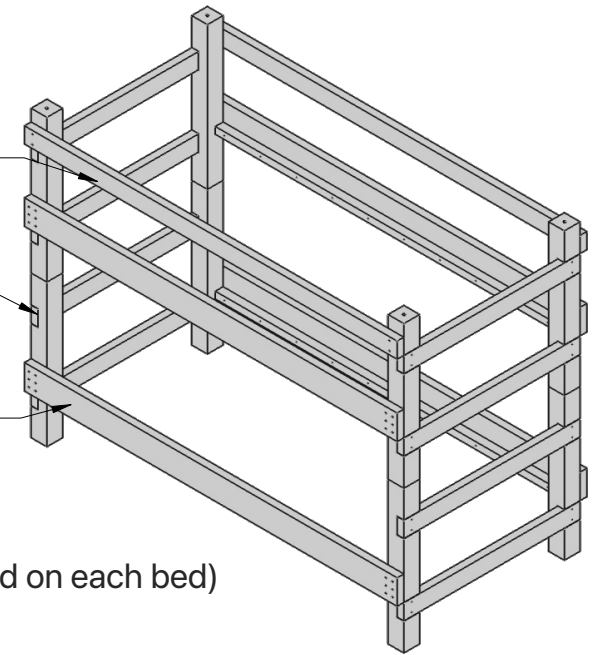
Pieces required for assembly

- 4x Headboard / Footboard
- 4x Side Rail Assembly
- 2x Safety Rail
- 14x Slats
- 4x Wooden dowel (3/4" dia x 5-3/4")
- 56x 2-1/2" deck screws

safety rail (2x)

Headboard / Footboard (4x)

side rail (4x)



Slats not shown for clarity
(place 7 slats evenly spaced on each bed)

Attach with 2x 2-1/2" deck screws on each end

Attach with 6x 2-1/2" deck screws on each end

Align bottom of Side Rails and Safety Rails to be approximately flush with top of Ladder Rungs as shown (check for squareness)

26-1/4" REF

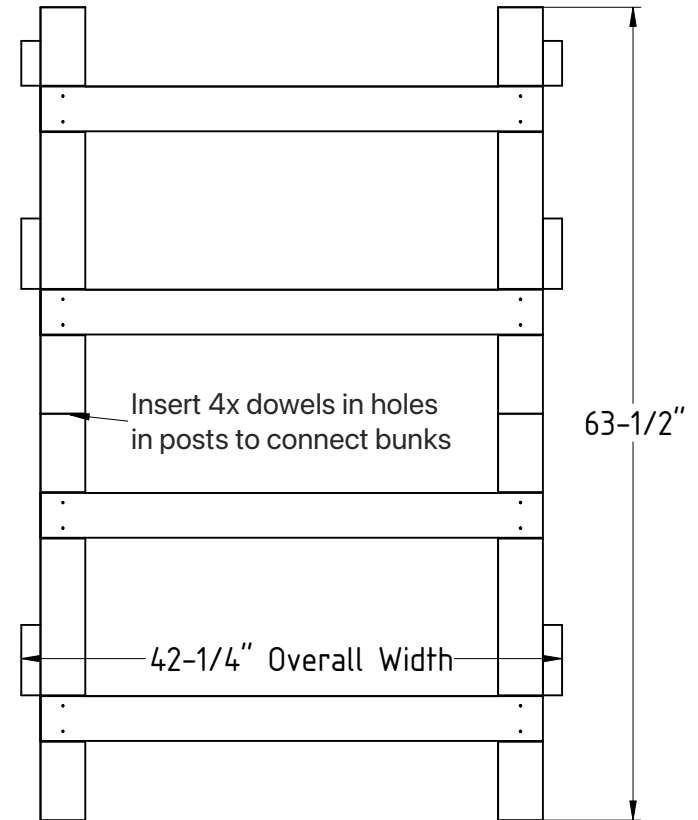
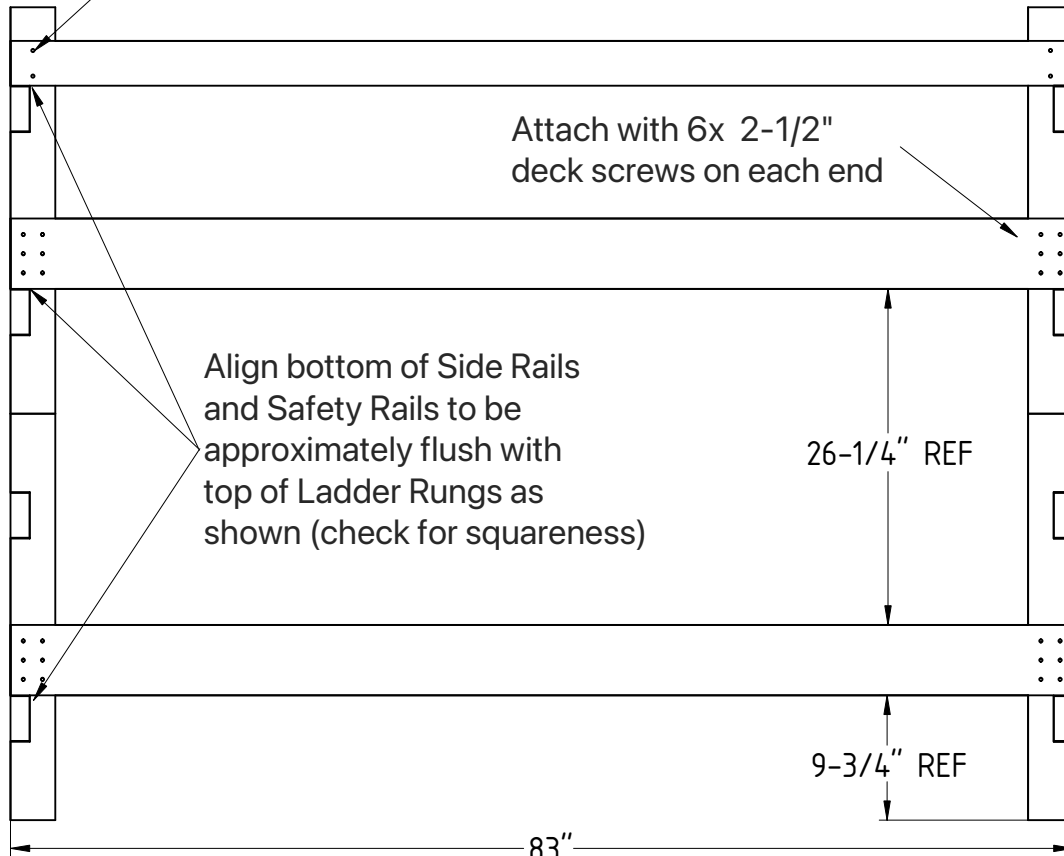
9-3/4" REF

83"

Insert 4x dowels in holes in posts to connect bunks

42-1/4" Overall Width

63-1/2"



Single Bed Assembly

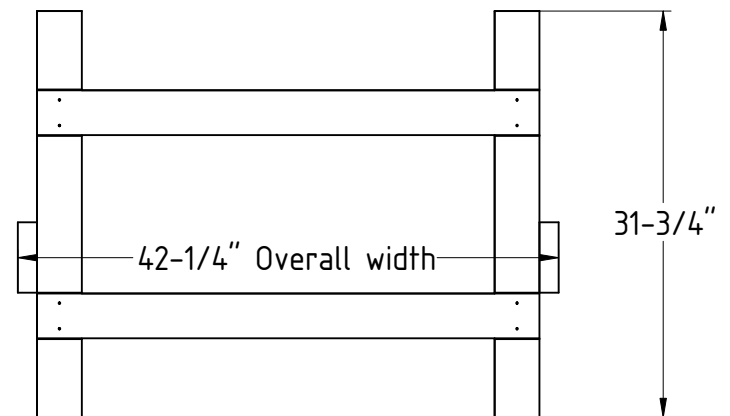
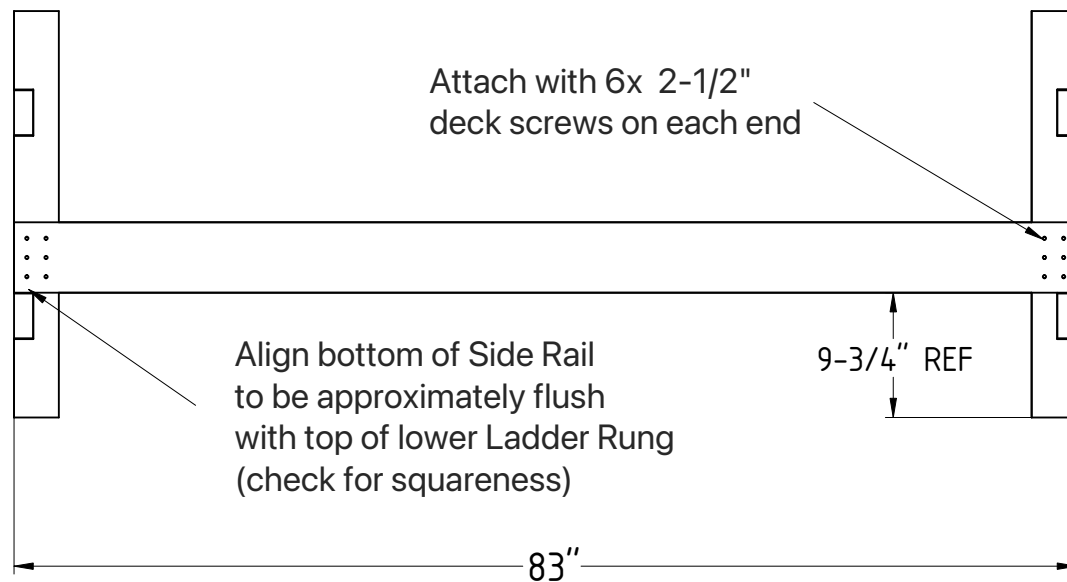
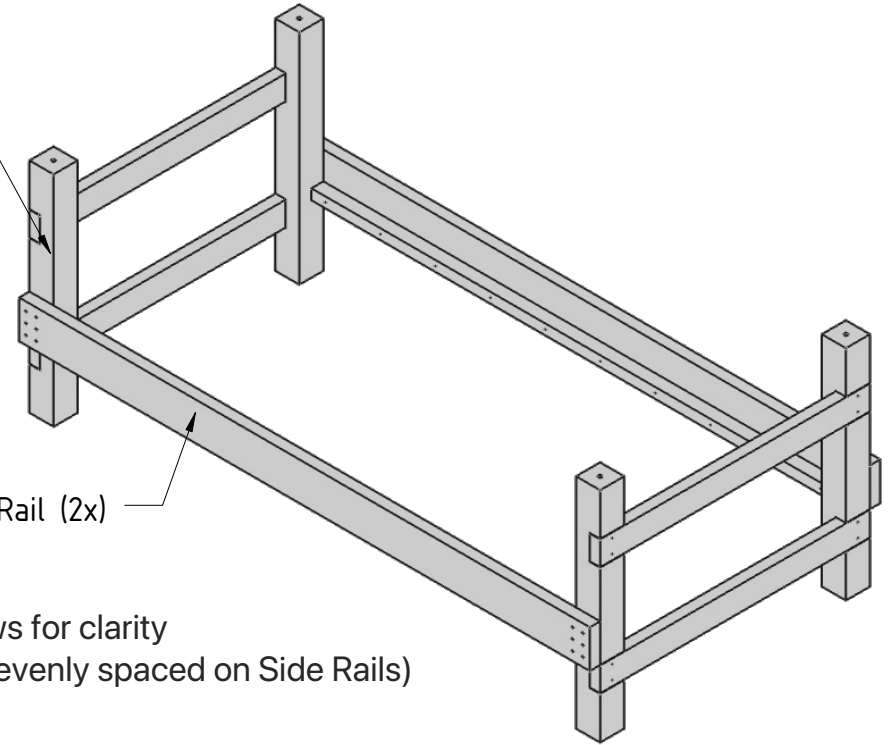
Pieces required for assembly

- 2x Headboard / Footboard
- 2x Side Rail Assembly
- 7x Slats
- 24x 2-1/2" deck screws

Headboard / Footboard (2x)

Side Rail (2x)

Slats not shown for clarity
(place 7 slats evenly spaced on Side Rails)

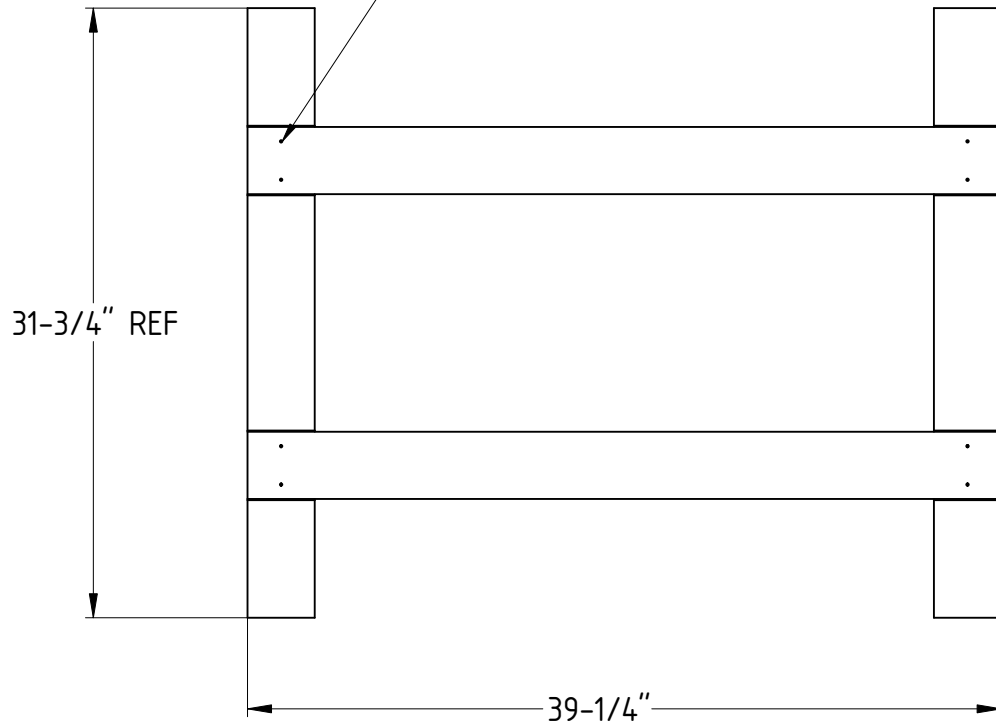
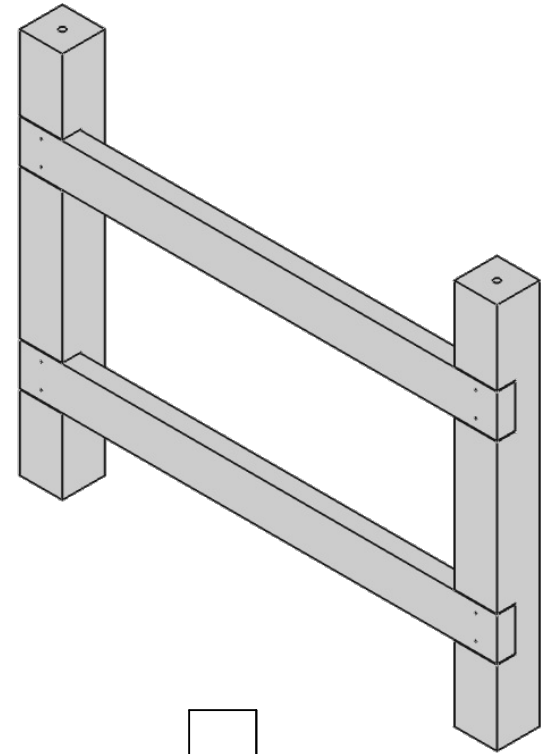


Headboard / Footboard Assembly

- 4 per bunk bed
- 2 per single bed
- assemble before delivery

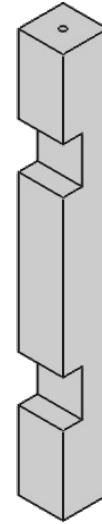
Parts needed - 2x Post & 2x Ladder Rung

Attach Ladder Rungs with wood glue and 2x 2-1/2" deck screws approximately as shown (check for squareness)



Post Detail

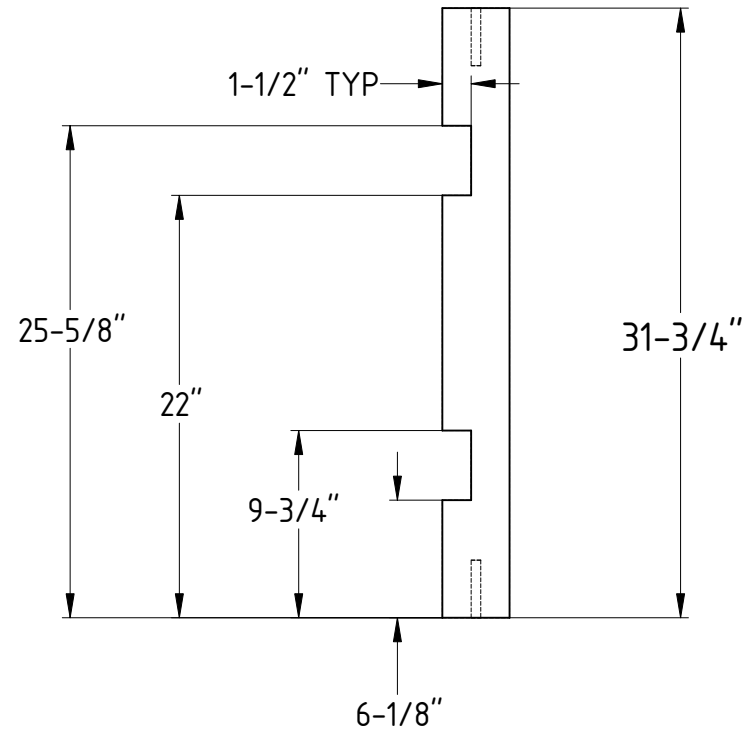
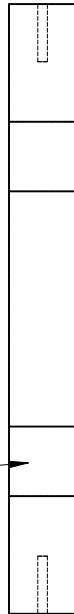
- 8 per bunk bed
- 4 per single bed
- 4x4 - cut to 31-3/4" long
- sand edges smooth



Drill $\phi 1/2"$ x 3" Deep
in the center of top &
bottom of each post

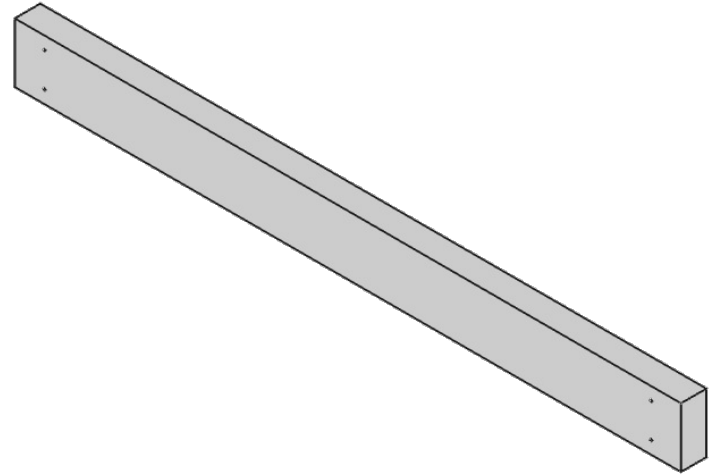


Recomendation:
Table saw with Dado blade
can be used to cut reliefs

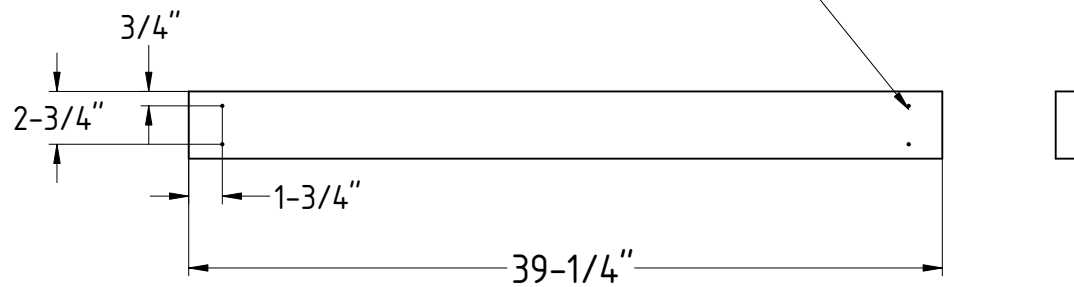


Ladder Rung Detail

- 8 per bunk bed
- 4 per single bed
- 2x4 - cut to 39-1/4" long
- mount to posts before delivery
- sand edges smooth



Optional:
pre drill 1/8" holes for screws
to mount ladder rungs to
posts approximately as
shown both ends

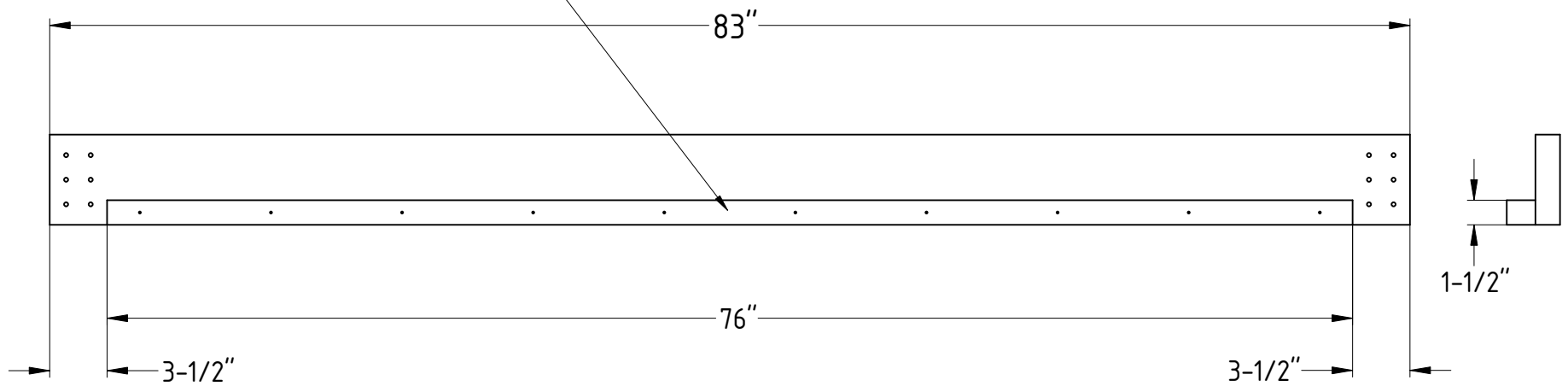
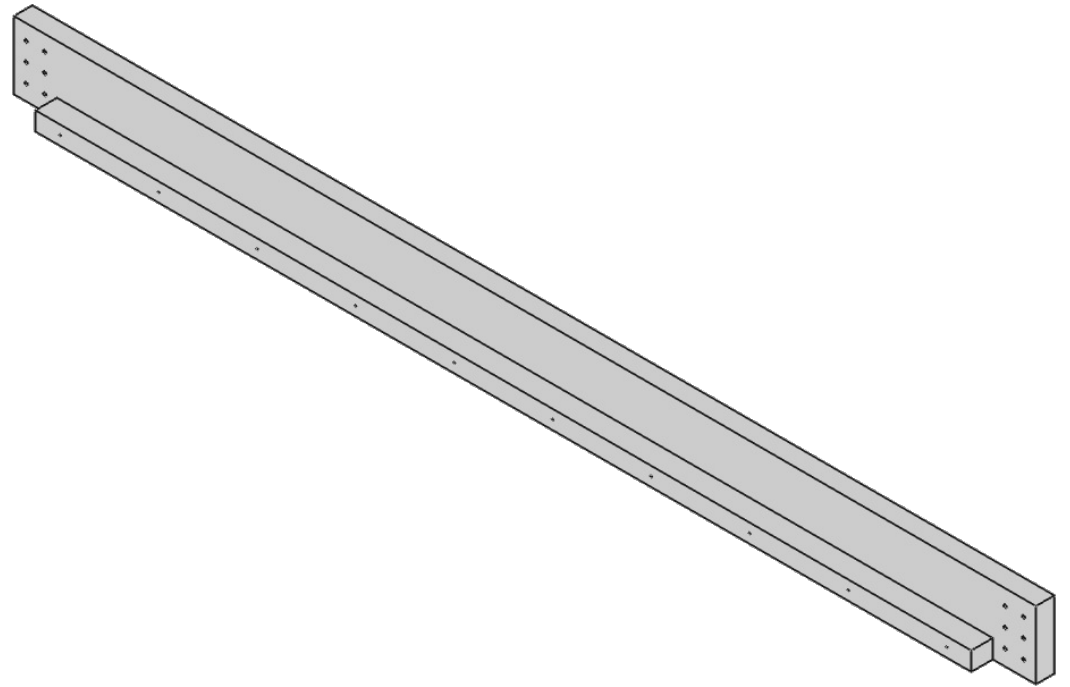


Side Rail Assembly

- 4 per bunk bed
- 2 per single bed
- assemble before delivery
- sand edges smooth

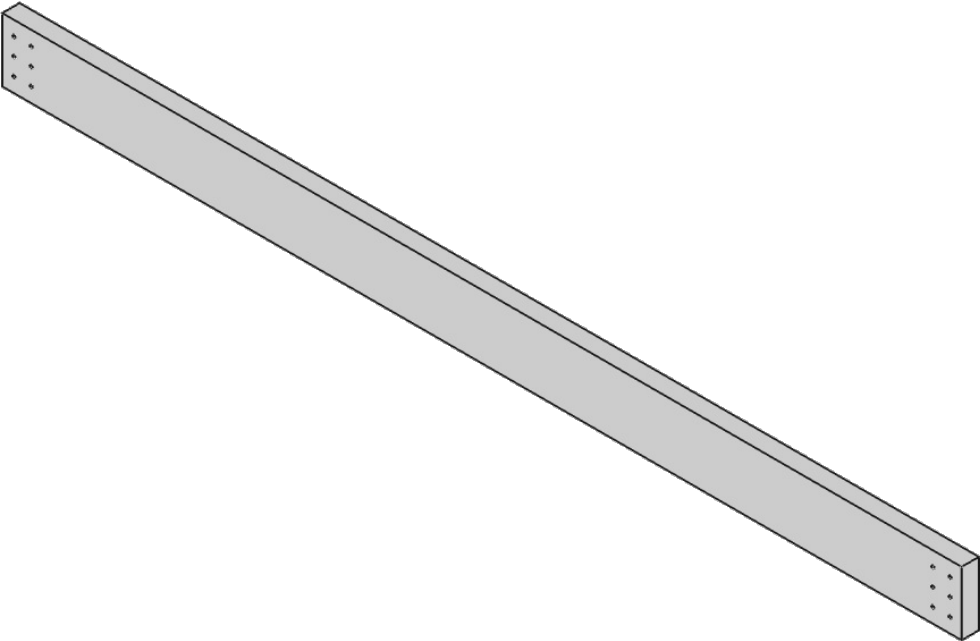
Parts Needed - 1x Side Rail & 1x Slat Brace

Attach Slat Brace using wood glue and 10x 2-1/2" deck screws approximately as shown

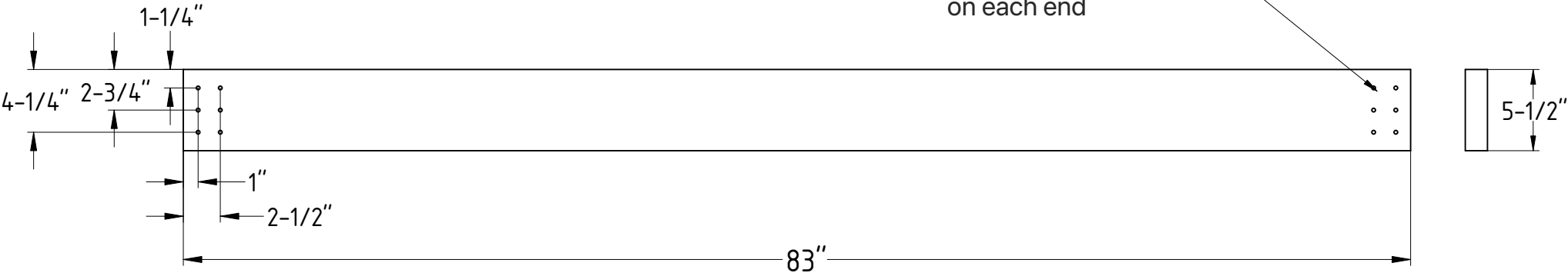


Side Rail Detail

- 4 per bunk bed
- 2 per single bed
- 2x6 - cut to 83" long
- sand edges smooth

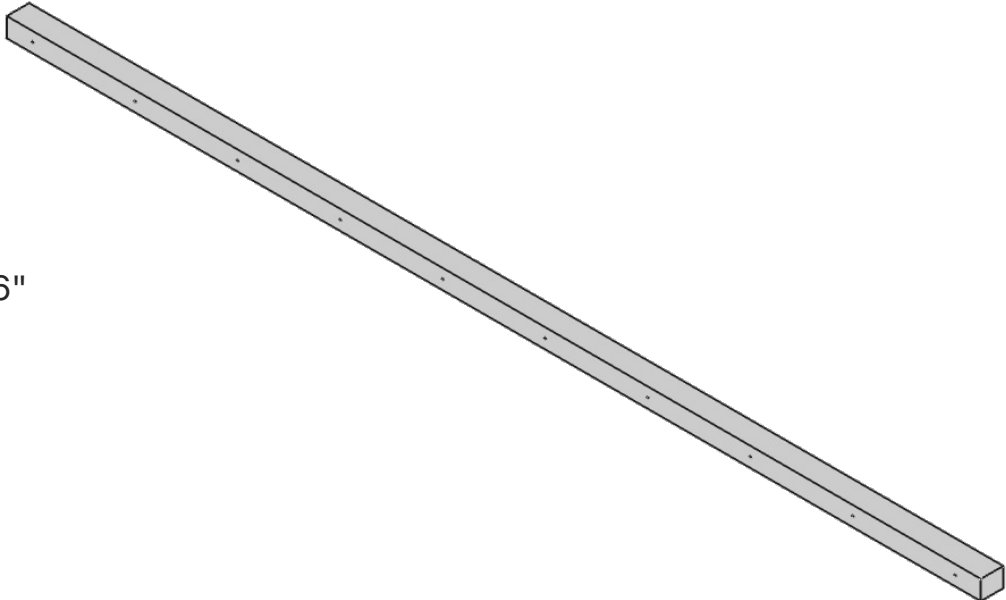


Drill 1/8" holes for screws to mount side rails approximately as shown on each end

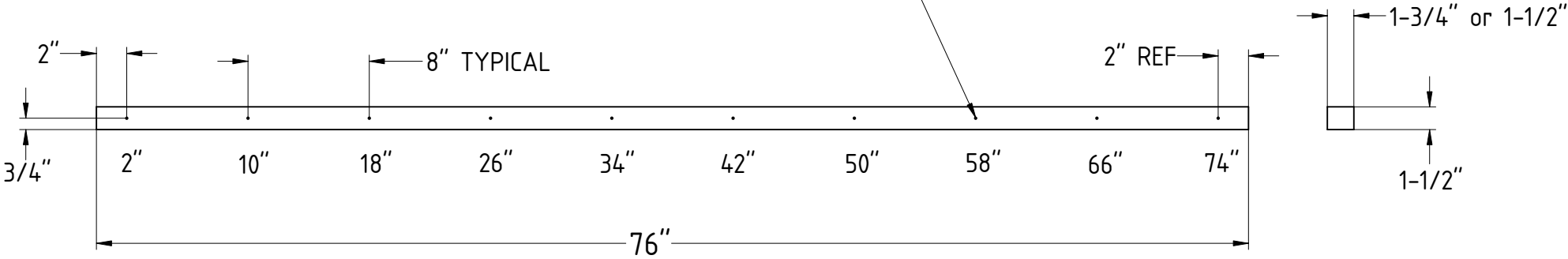


Slat Brace Detail

- 4 per bunk bed
- 2 per single bed
- mount to side rails before delivery
- Option #1 - rip 2x4 to create 2 pieces - cut to 76"
- Option #2 - 2x2 - cut to 76"

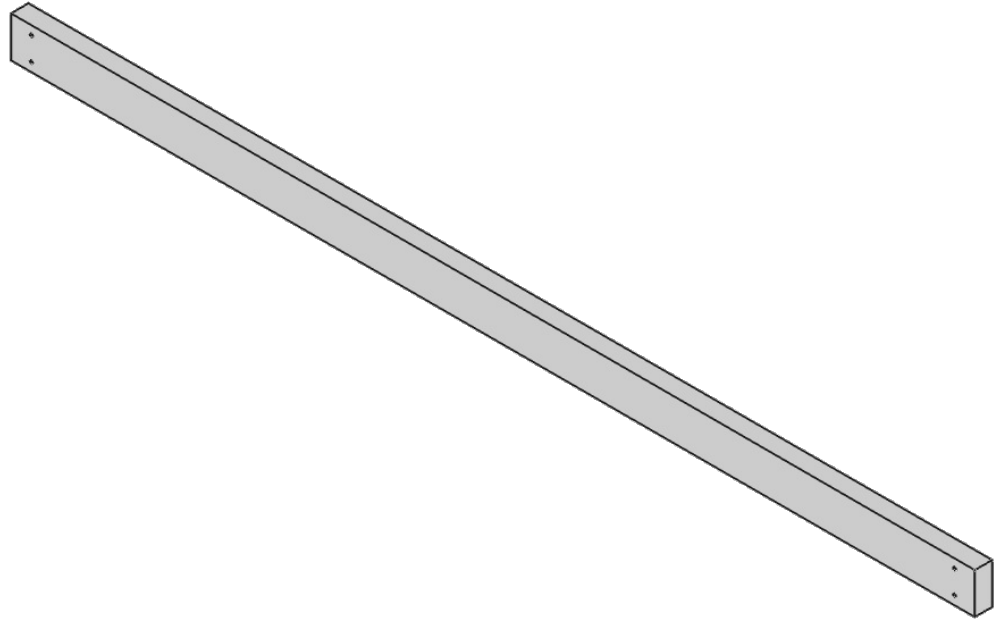


Optional:
Pre drill 1/8" holes for screws
to mount Slat Brace to
Side Rails in approximate
locations as shown

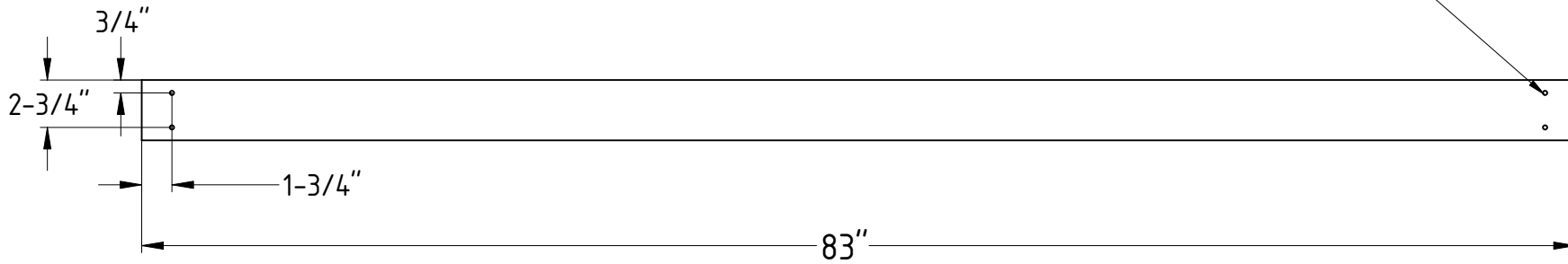


Safety Rail Detail

- 2 per bunk bed (top bunk only)
- not required for single bed
- 2x4 - cut to 83" long
- sand edges smooth



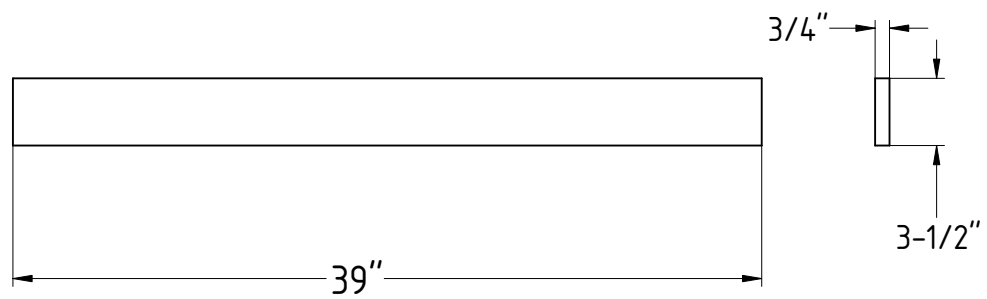
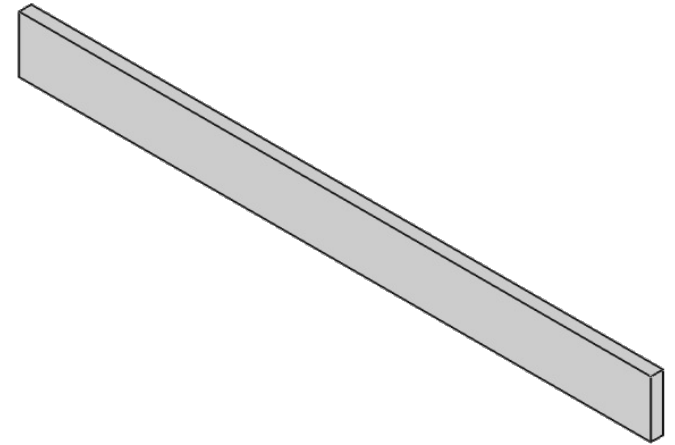
Drill 1/8" holes for screws
to mount safety rails
approximately as shown
on both ends



Bed Slat

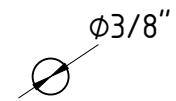
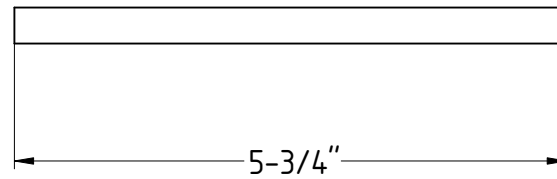
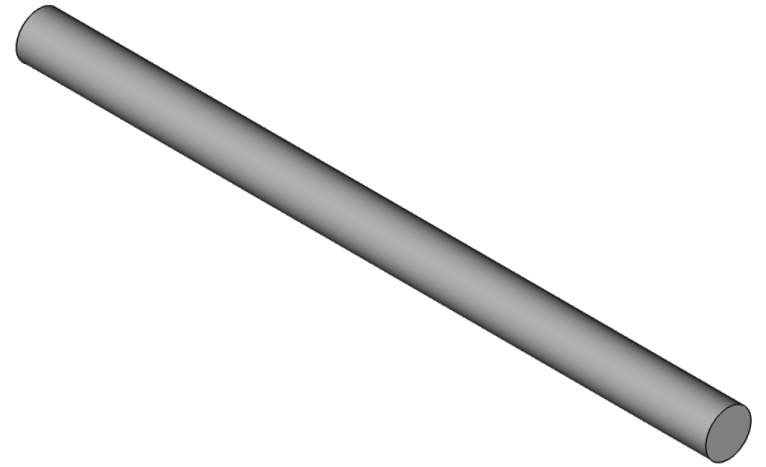
- 14 per bunk bed
- 7 per single bed
- 1x4 - cut to 39" long
- *Use Pine or Poplar*

- sand edges smooth



Dowel Detail

- 4 per bunk bed
- not required for single twin bed
- 3/8" dia wooden dowel - cut to 5-3/4"
- sand edges smooth



Bunk Bed Materials List

Total Lumber (1 bunk bed)

3 ea – 4x4 x 8 ft long (Post)

4 ea– 2x6 x 8 ft long (Side Rail)

4 ea – 2x4 x 8 ft long (Safety Rail & Slat brace)

3 ea – 2x4 x 10 ft long (Ladder Rung)

7 ea – 1x4 x 8 ft long (Slats)

3/8" diameter wood dowel - 24" needed per bunk bed total

*If you prefer to use 2x2's for slat braces

- Add 4 ea – 2x2 x 8 ft long
- Subtract 2 ea – 2x4 x 8ft long

Bunk Bed – Cut List

Posts

- 8 pieces - 4x4 @ 31-3/4" long

Ladder Rungs

- 8 pieces - 2x4 @ 39-1/4" long (use 2x4 x 10 ft)

Side Rails

- 4 pieces - 2x6 @ 83" long

Slat Braces

- Option #1 - 2 pieces - 2x4 @ 76" long (after cut to length, rip in half on table saw)
- Option #2 – 4 pieces - 2x2 @ 76" long

Slats

- 14 pieces – 1x4 @ 39" long

Safety Rails

- 2 pieces - 2x4 @ 83" long

**Save cutoff from 4x4 x 8ft (post) and 2x4 x 10ft (Ladder Rung) for future beds

Other Supplies

2-1/2" Deck Screws – star drive (T25 bit)

- 128 total per bunk bed or 60 total per single twin bed
 - (some used during build and some for assembly)

Wood Glue

Stain – Choose what you prefer.

- we have used - Minwax premium oil, semi-transparent – Jacobean 2750